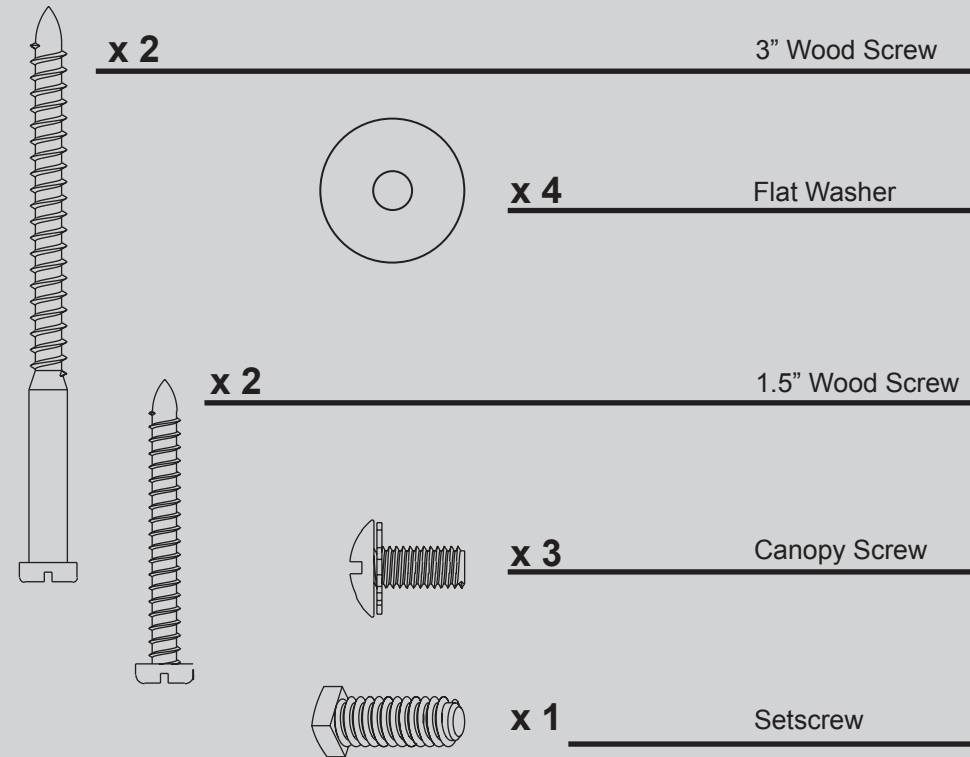


Hardware

(Drawn to Scale)



x 2

3" Wood Screw

x 4

Flat Washer

x 2

1.5" Wood Screw

x 3

Canopy Screw

x 1

Setscrew



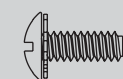
x 1

Balancing Kit



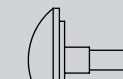
x 4

Wire Connector



x 6

Screw, Machine, 6-32

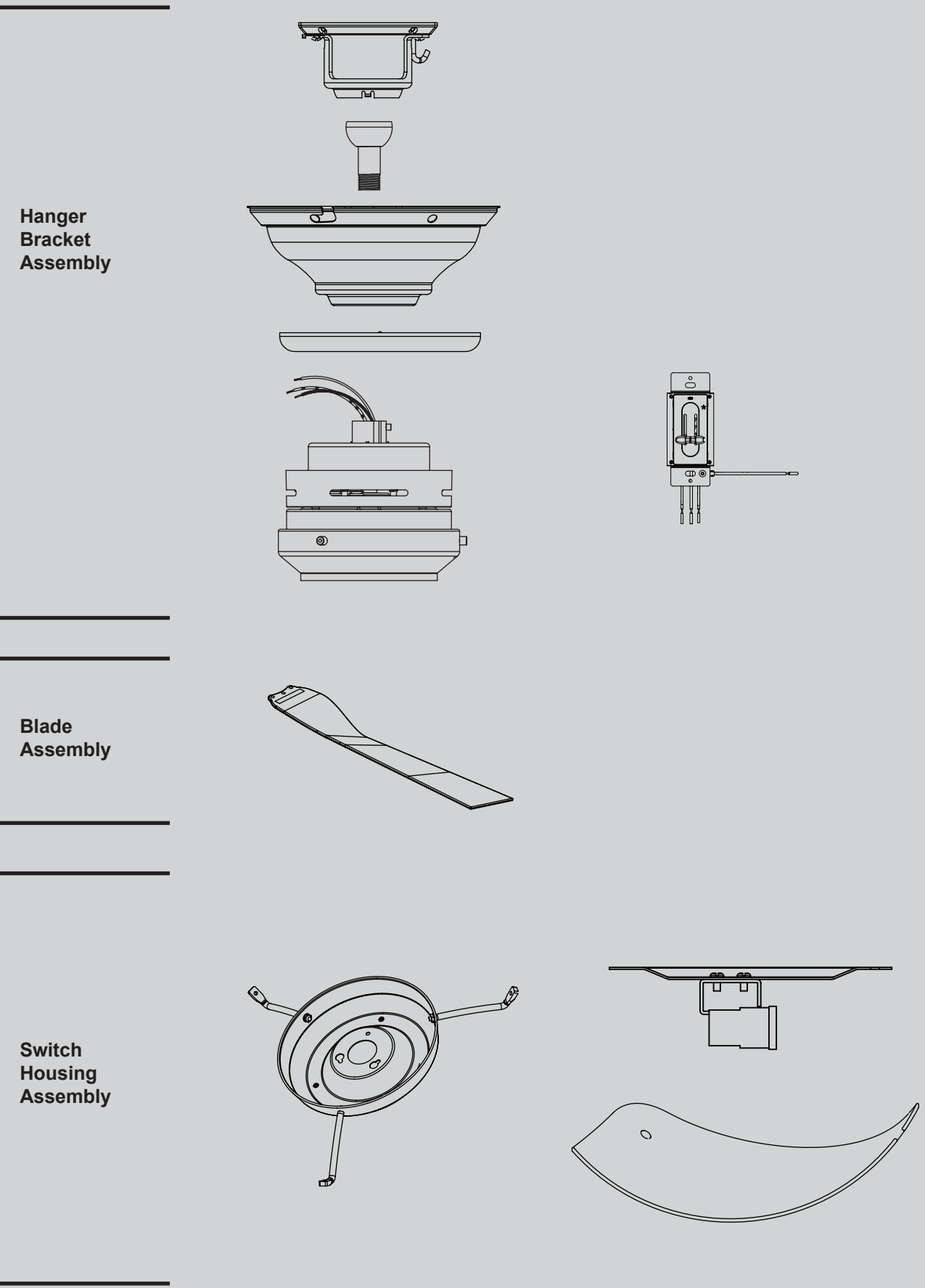


x 3

Decorative Screw

Fan Parts

(Not Drawn to Scale)



Hanger Bracket Assembly

Blade Assembly

Switch Housing Assembly

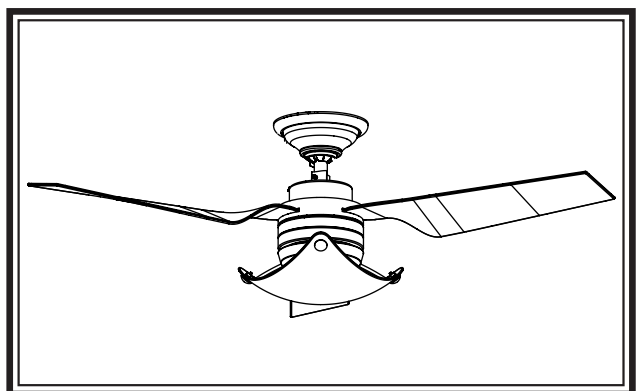
PARTS GUIDE



SINCE 1886



Using this Parts Guide, make sure all parts are included in the box. If parts are missing, DO NOT RETURN



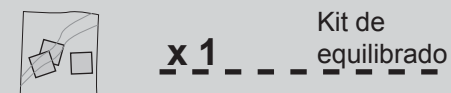
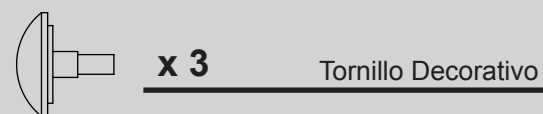
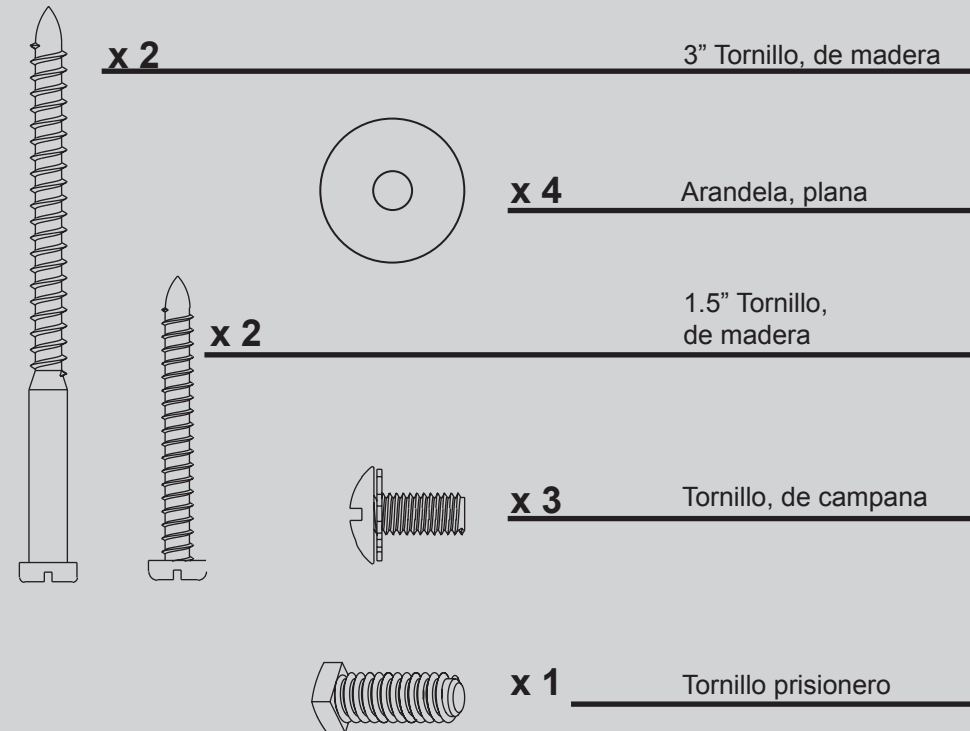
THIS ITEM TO THE STORE, call 888-830-1326 for assistance.

THIS PARTS GUIDE IS FOR REFERENCE ONLY. REFER TO THE INSTALLATION MANUAL FOR FULL ASSEMBLY INSTRUCTIONS.

Parts List		Model #	22926
		Asm. Dwg. #	98246-01
		Finish	Brushed Nickel
Item Name	Qty	Part #	
* Canopy Assembly	1	98026-09	
Ceiling Plate			
Canopy			
Canopy Trim Ring			
Canopy Screw			
Wood Screw			
Flat Washer			
Mounting Isolator			
* Locking Screw			
Setscrew			
Hanger Ball / Downrod Assembly	1	87942-03	
Blade Set	1	75539-99	
Screw, Blade Iron Armature	10	63755-05	
Light Kit Assembly	1	88137-01	
Hardware Kit	1	98246-00-860	
Blade Grommet			
Blade Assembly Screw			
Screw, Machine, 6-32			
Wire Connector			
Screw, Switch Housing Assembly			
Balancing Kit	1	07570-01	
Remote Control Transmitter	1	64131-01	
Heat Shield	1	88136-01	
Decorative Screw	3	76426-01	
Globe/Shade	1	98128-01	

Materiales

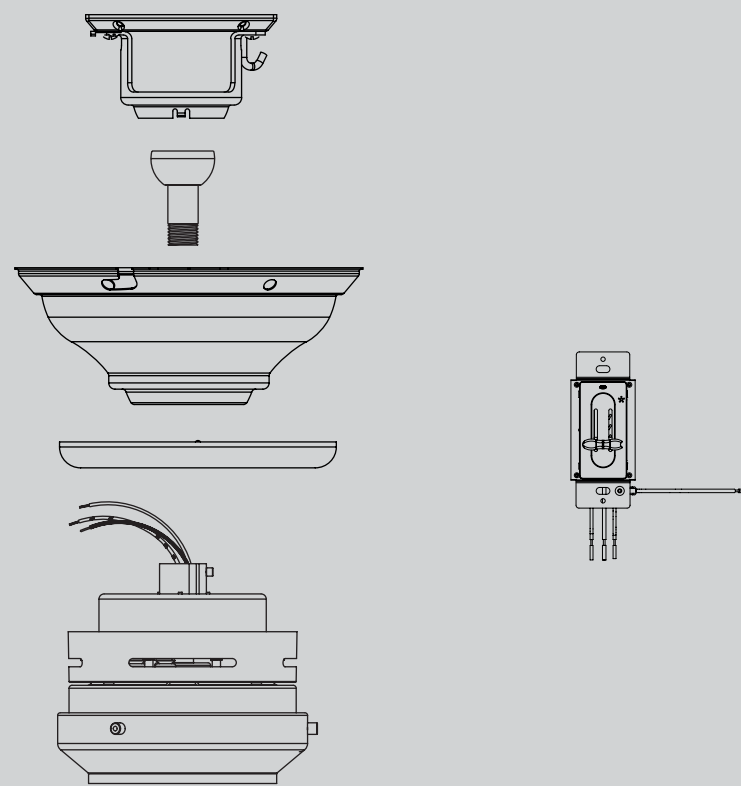
(no dibujados a escala)



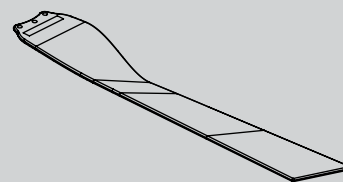
Piezas del ventilador

(no dibujadas a escala)

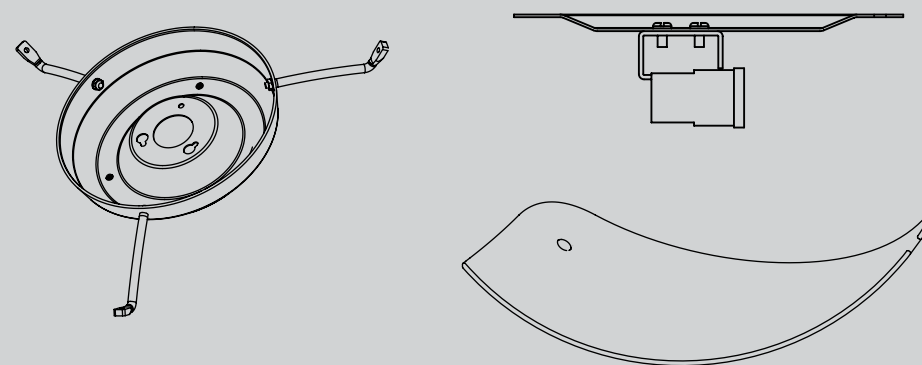
Conjunto del soporte de suspensión



de conjunto de paleta



Conjunto del interruptor/alojamiento



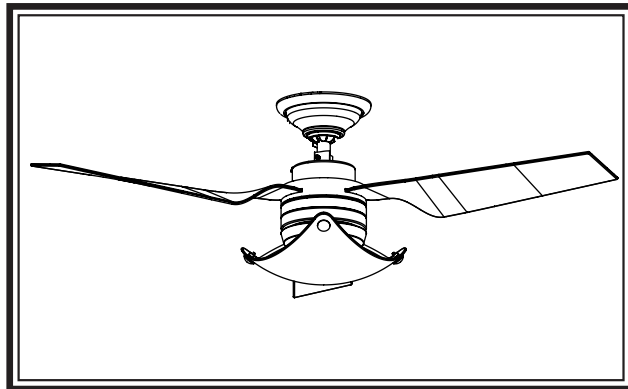
GUÍA DE PIEZAS



PARADA

Consulte esta Guía de partes para asegurarse de que todas las partes estén incluidas en la caja.

Si falta alguna parte, **NO DEVUELVA ESTE PRODUCTO A LA TIENDA. Solicite ayuda al 888-830-1326. ESTA GUÍA DE PARTES SOLAMENTE ES REFERENCIAL. CONSULTE LAS INSTRUCCIONES COMPLETAS DE ENSAMBLAJE EN EL MANUAL DE INSTALACIÓN**



Nombre del ítem	No. del modelo	22926
	No. del dibujo de ensamblaje	98246-01
	Acabado	Níquel pulido
	Cantidad	No. de la pieza
* Canopy Assembly	1	98026-09
Ceiling Plate		
Canopy		
Canopy Trim Ring		
Canopy Screw		
Wood Screw		
Flat Washer		
Mounting Isolator		
* Locking Screw		
Setscrew		
Hanger Ball / Downrod Assembly	1	87942-03
Blade Set	1	75539-99
Screw, Blade Iron Armature	10	63755-05
Light Kit Assembly	1	88137-01
Hardware Kit	1	98246-00-860
Blade Grommet		
Blade Assembly Screw		
Screw, Machine, 6-32		
Wire Connector		
Screw, Switch Housing Assembly		
Balancing Kit	1	07570-01
Remote Control Transmitter	1	64131-01
Heat Shield	1	88136-01
Decorative Screw	3	76426-01
Globe/Shade	1	98128-01